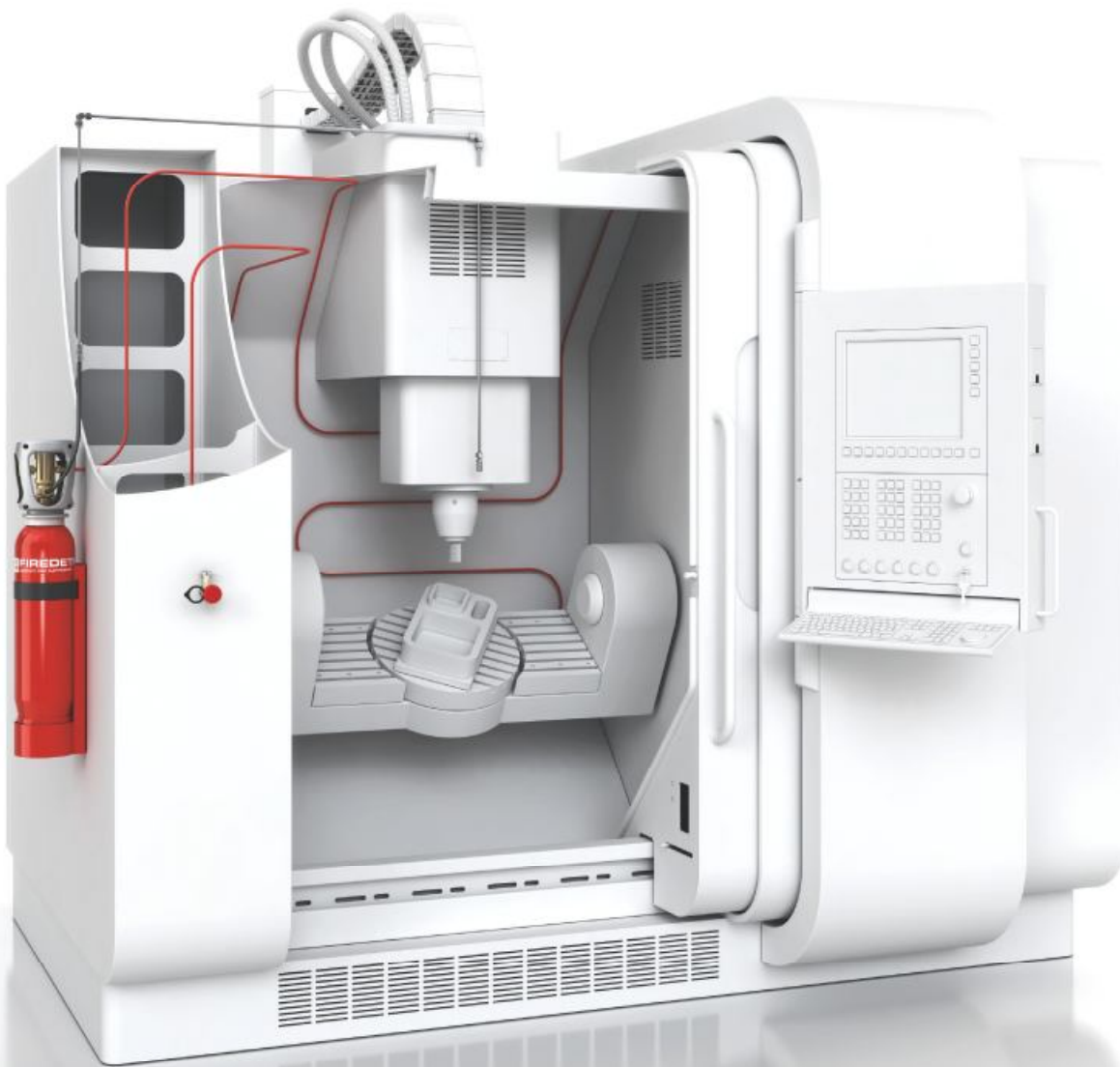




**ROTAREX**  
FIRETEC



COMPLETE SYSTEMS FOR CNC MACHINES

# A COMPLETE DETECTION & SUPPRESSION SYSTEM PRE-ENGINEERED FOR CNC MACHINES

- ★ Easy / Flexible installation
- ★ Quick & Effective suppression
- ★ Highly Dependable: no electricity or moving parts
- ★ Highly economical



## EVERYTHING YOU NEED TOGETHER IN ONE BOX



## REDUCES EVEN THE MOST CRITICAL CNC MACHINES FIRE RISKS:

- Combustion of oil residues or machined metals due to coolant system malfunction, tool breakage or improper maintenance.
- Extensive machine repair
- Late orders due to downtime
- Extensive cleanup if sprinkler system actuates

## THE FIREDETEC® DIFFERENCE

Rotarex FireDETEC® systems use a proprietary continuous linear sensor tube that reliably detects and actuates release of the extinguishing agent using pneumatic technology. It is more flexible, space efficient and cost effective versus alternative mechanical or electronic systems.



### 1. Quick & Easy installation directly inside CNC machines:

The flexible sensor tubing is easily installed directly on the walls and roof of the machining enclosure.

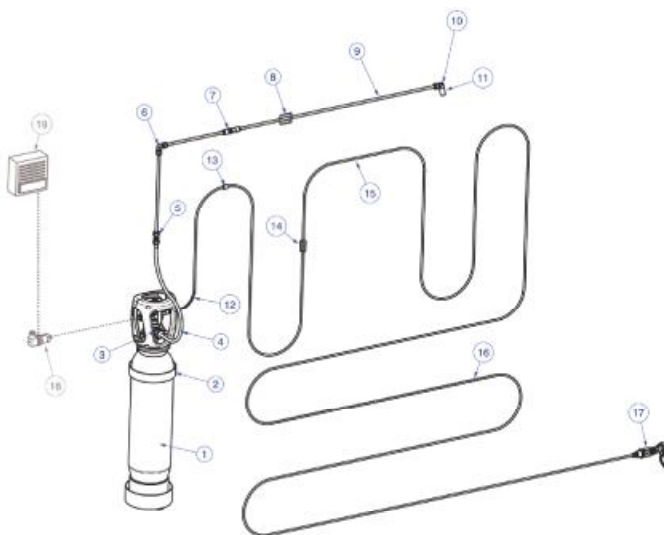
When in service, the tubing is pressurized with dry nitrogen to 16 bar. The dynamics of pressurization make the tubing more reactive to heat.

### 2. Early fire detection:

If a flame-up occurs, the heat of the fire causes the pressurized sensor tube to burst at the hottest spot (approx. 110°C)

### 3. Instant suppression:

The sudden tube depressurization actuates the special pressure differential valve and instantly floods the entire cabinet area with CO<sub>2</sub> extinguishing agent. The fire is quickly suppressed just moments after it began... minimizing damage and downtime.



Pos.	Qty.	Description
1	1	IHP cylinder/valve assembly (not filled)
2	1	Cylinder bracket
3	1	Gasket
4	1	Rubber hose
5	1	Tube fitting - straight
6	1	Tube fitting - Elbow
7	1	Cross panel-fitting
8	6	pipe bracket (Ø8mm)
9	3	Stainless steel tubing (1m)
10	1	Tube fitting - Elbow - G ¼"
11	1	Nozzle
12	1	Protection spring top
13	1	Cross panel-fitting
14	20	Screw clips for tube attachment
15	1	FireDETEC Tube red (10m)
16	1	Protection spring for sensor tubing
17	1	Manual release device

#### OPTIONAL

18	1	Pressure switch
19	1	Alarm box

## SPECIFICATIONS

Product code	CO <sub>2</sub>		CO <sub>2</sub> with DIMES	
	B07504002	B07504003	B07505002	B07505003
Cylinder kit size	5 Kgs.	10 Kgs.	5 Kgs.	10 Kgs.
Cylinder volume	6.7 liters	13.4 liters	6.7 liters	13.4 liters
Cylinder approval	CE	CE	CE	CE
Weight	11 Kgs.	23 Kgs.	11 Kgs.	19 Kgs.

**WORLDWIDE HEADQUARTERS**

24, rue de Diekirch, BP 19  
L-7505 Lintgen  
Luxembourg  
Tel.: +352 32 78 32-1  
Fax: +352 32 78 32-854  
E-mail: [info@firetec.rotarex.com](mailto:info@firetec.rotarex.com)

## OTHER AVAILABLE PRE-ENGINEERED SYSTEMS:

### ELECTRICAL CABINETS



### FUME CABINETS



### COMMERCIAL KITCHENS



### VEHICLE ENGINES

